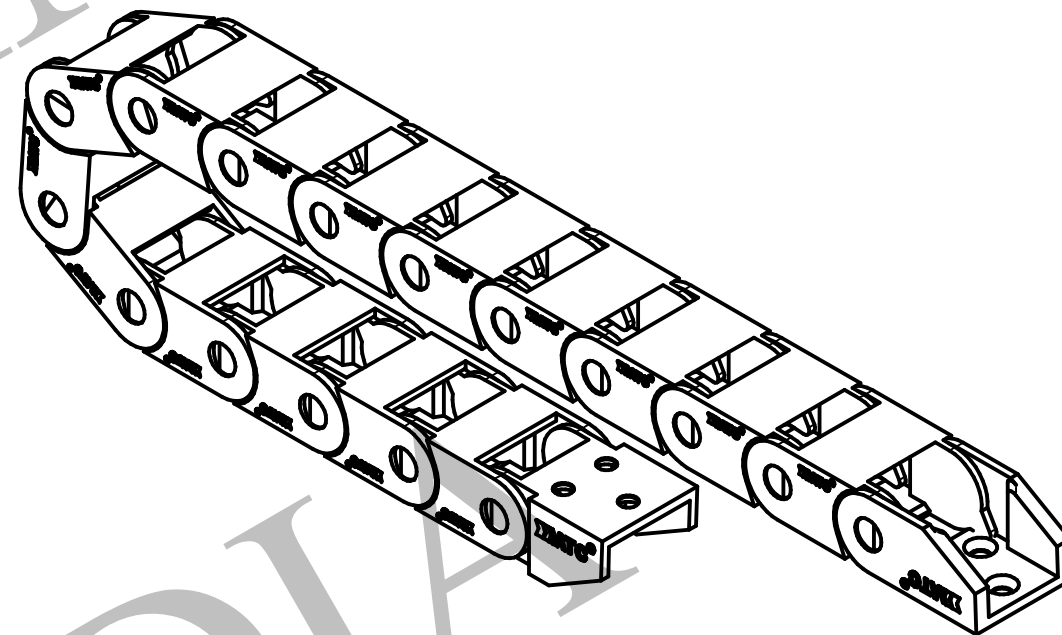
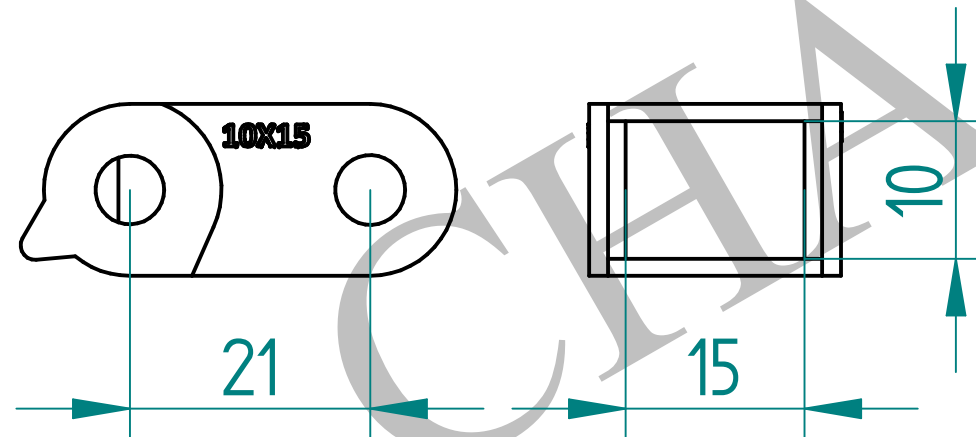
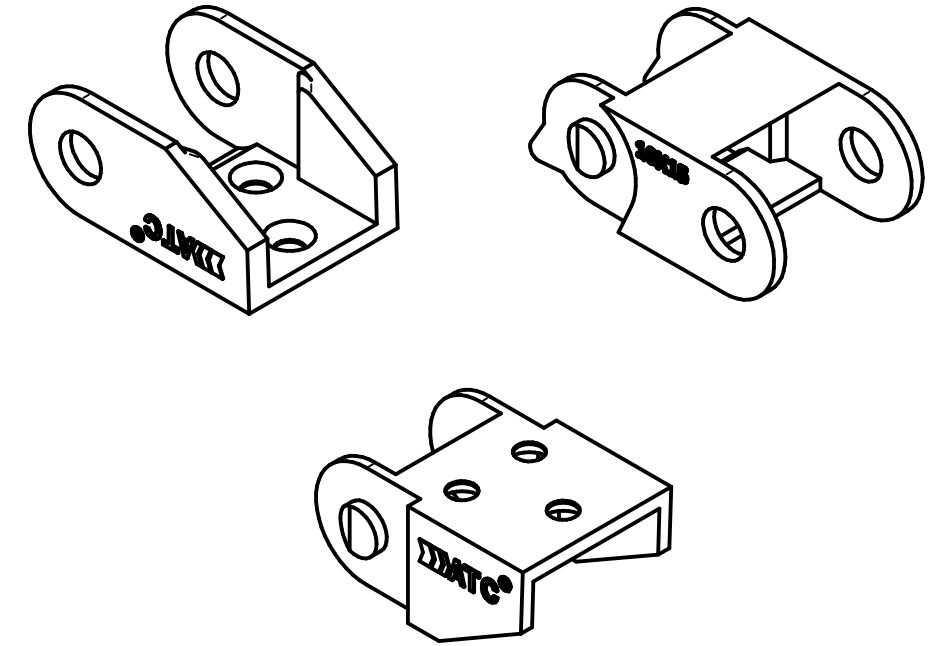
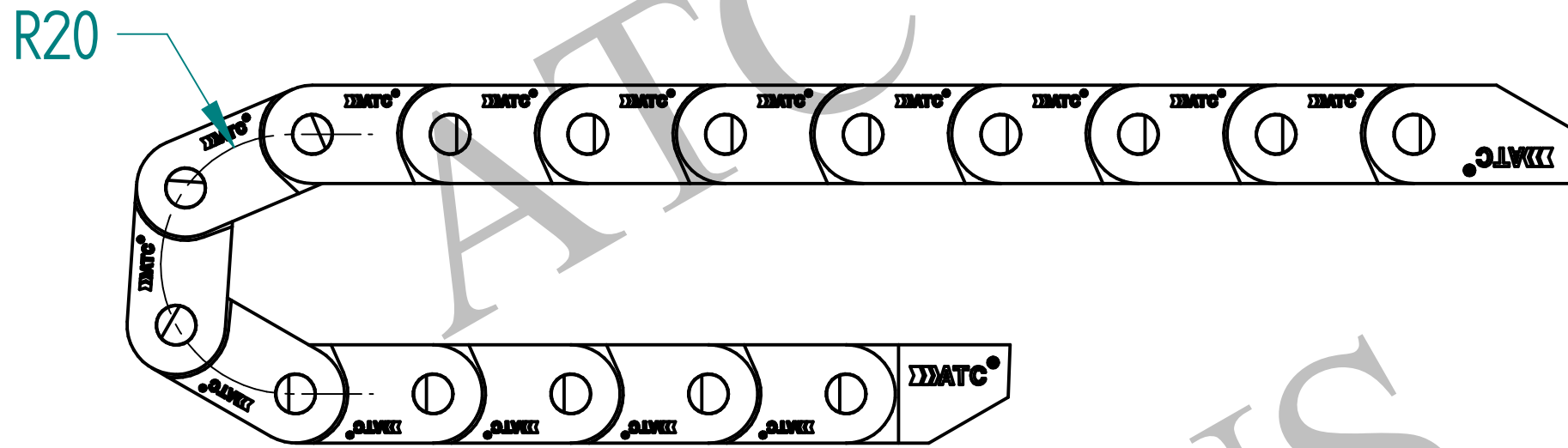
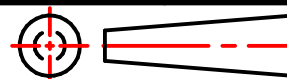



# ATC-TP-10X15 FIXED

# DRC-10X15



	NAME	DATE	<b>ATC CHAINS INDIA</b>		
DRAWN BY:	HARD PATEL	15.05.2020			
APPROVED BY:	SHIVAM PATEL	15.05.2020	CLIENT:		
			SIZE: A3	DWG: ATC-TP-10X15 FIXED	REV: R1
			SCALE: 1:1	WEIGHT:	SHEET: 01 OF 01
			<b>ALL DIMENSIONS ARE IN MM</b>		