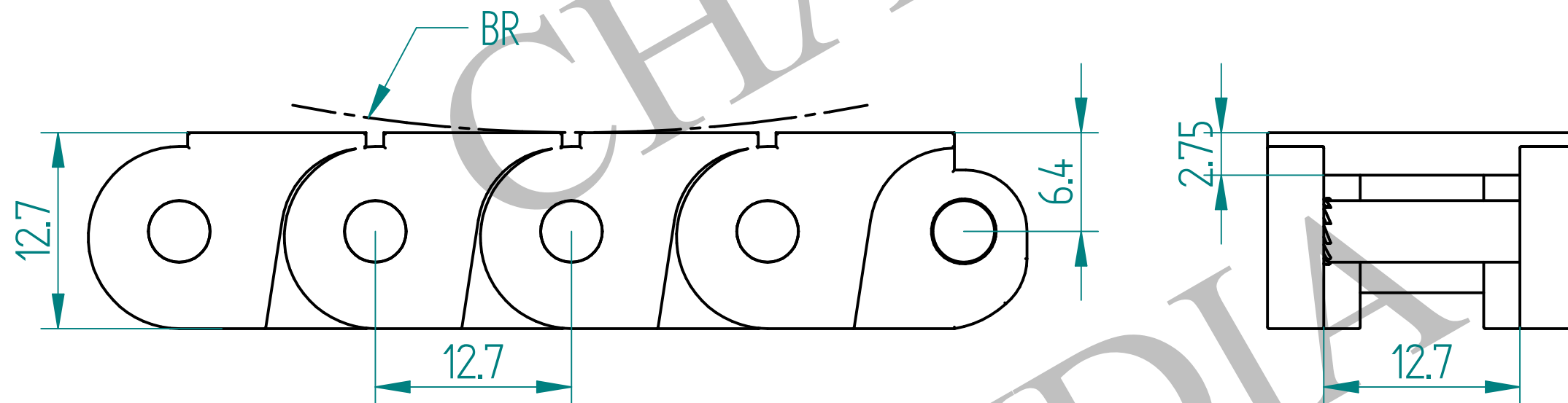
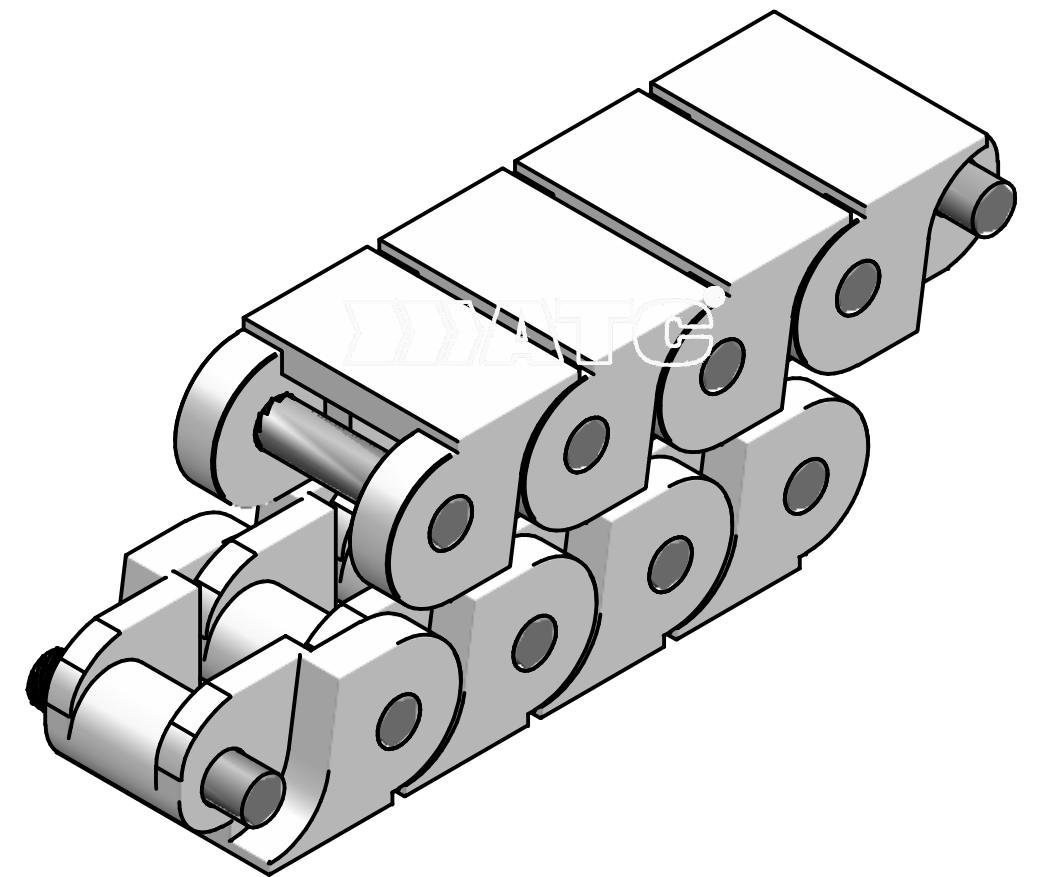
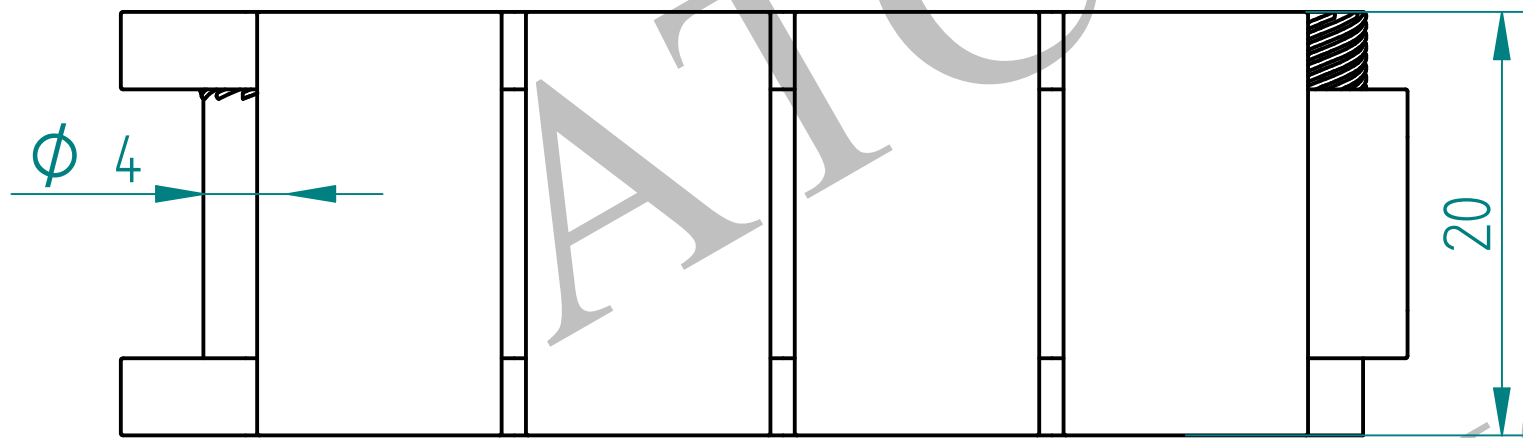


# 40P PLASTIC CHAIN (12.7 MM)



	SIGN	DATE	<b>ATC CHAINS INDIA</b>		
DRAWN BY:					CUSTOMER:
CHECKED BY:					CUSTOMER DWG. NO.:
APPROVED BY:					WEIGHT: MATERIAL: SCALE:
DWG. NO.:			ALL DIMENSIONS ARE IN MM		
			A4		