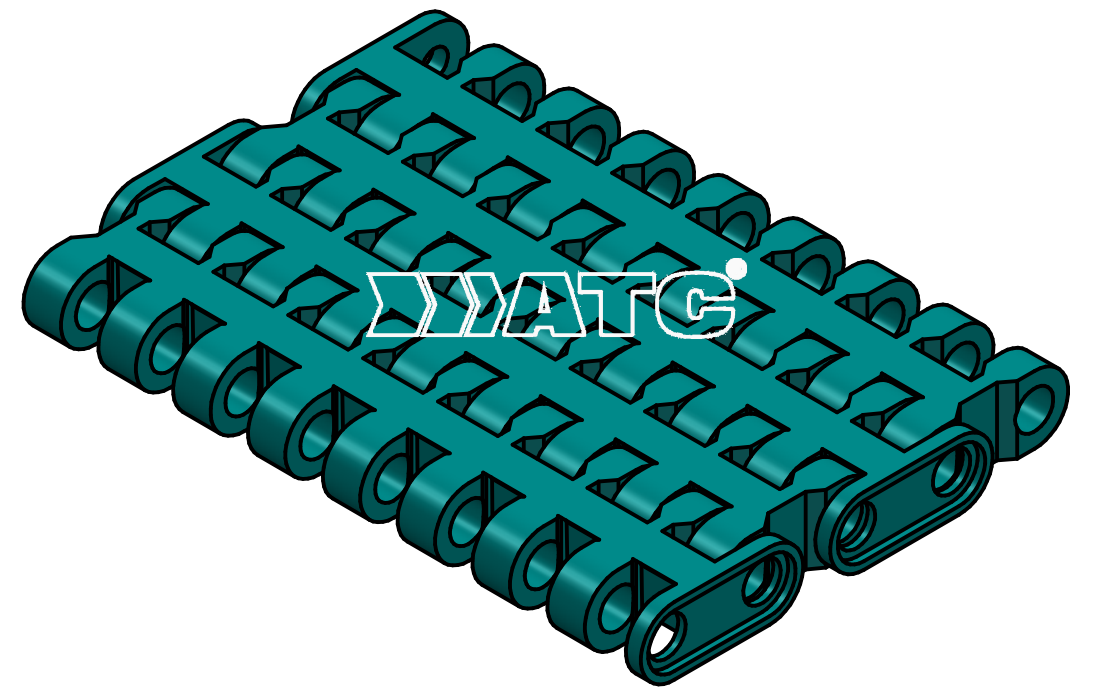
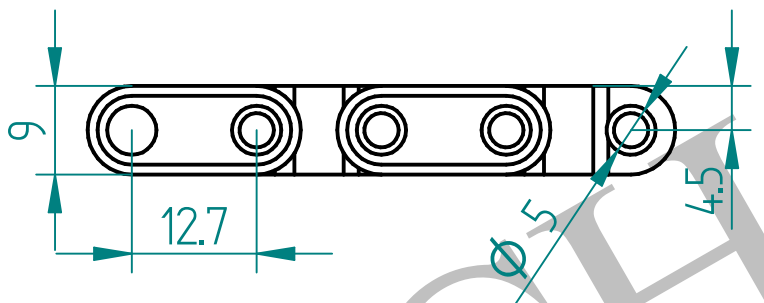
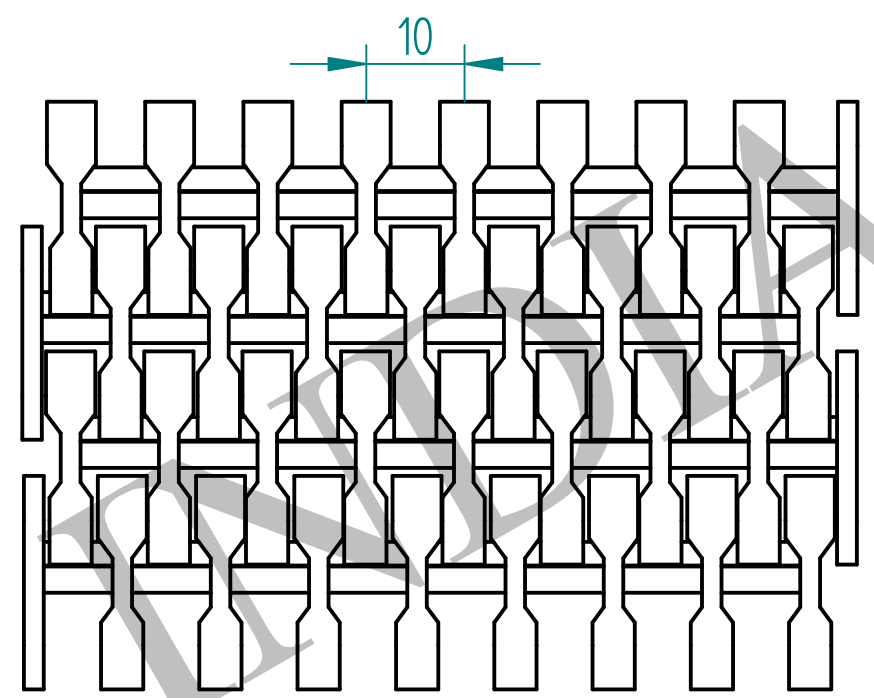
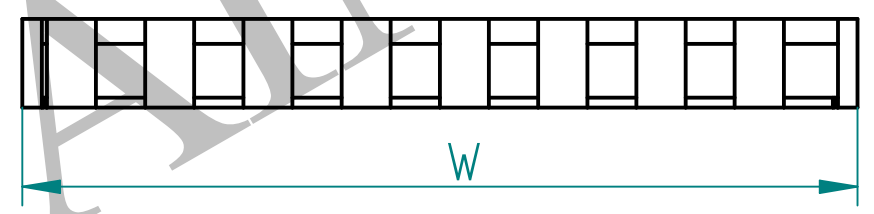
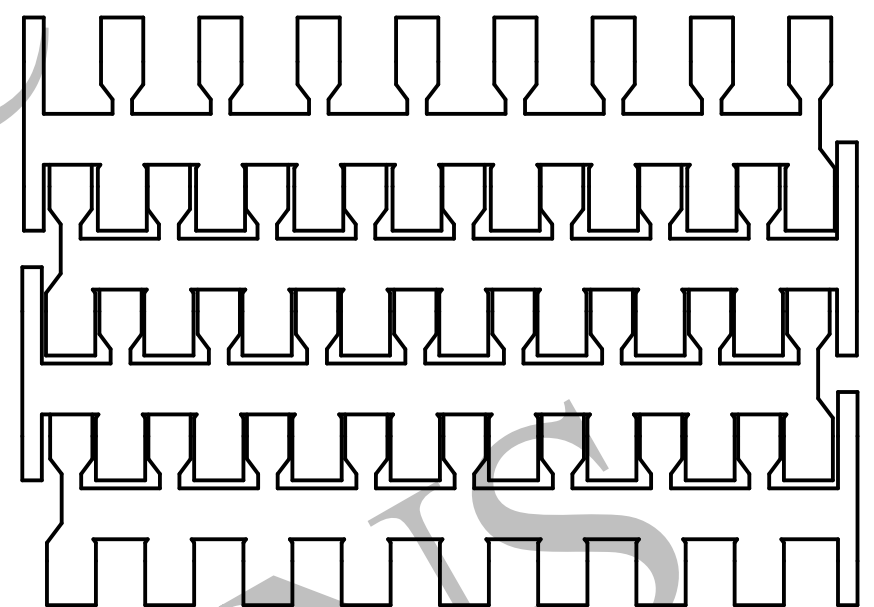
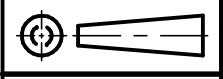


T-1600 FLUSH GRID PLAIN

ATC CHAINS



	SIGN	DATE	ATC CHAINS INDIA	
DRAWN BY:				
CHECKED BY:			CUSTOMER:	
APPROVED BY:			CUSTOMER DWG. NO.:	
DWG. NO.:			WEIGHT:	MATERIAL:
			SCALE:	
			ALL DIMENSIONS ARE IN MM	
			A4	



QNTY: