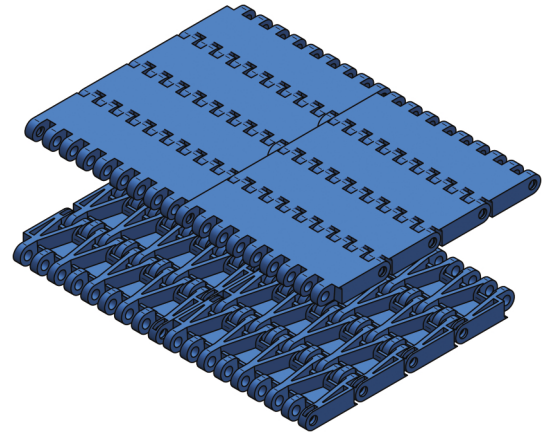


A / OPB SERIES



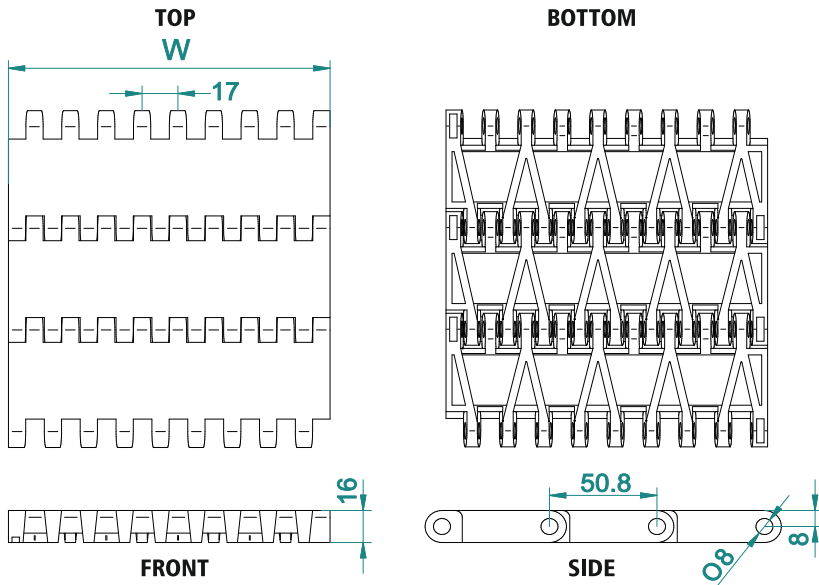
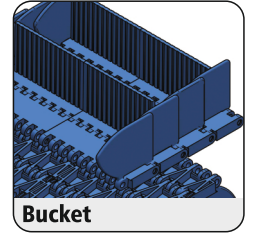
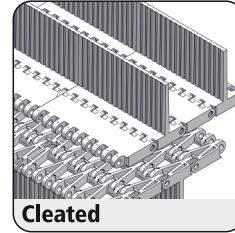
Pitch	50.8 mm
Surface type	Flat Top
Belt Thickness	16 mm
Pin Dia	8 mm
Drive System	Central
Standard Size Width	152.8 mm (± 17.2 mm)
Open Area	0 %
Approved by	FDA
Belt Movement	Bi - Directional



AVAILABLE COLOURS



For Customised Colour variation please contact our sales team.



ACCESSORIES

Cleat Height*	9 To 50 mm
Scoop Cleat Height	-----
Bent Cleat Height	-----
Side Wall Height	25 / 50 mm

* Can be customised

SUGGESTED INDUSTRIES



AVAILABLE WIDTH (W)

In mm	153	306	460	614	768	922	1076	+...n
In inch	6"	12"	18"	24.2"	30.2"	36.3"	42.4"	+...n

* For exact customised width dimension please contact our sales team.

BELT DATA

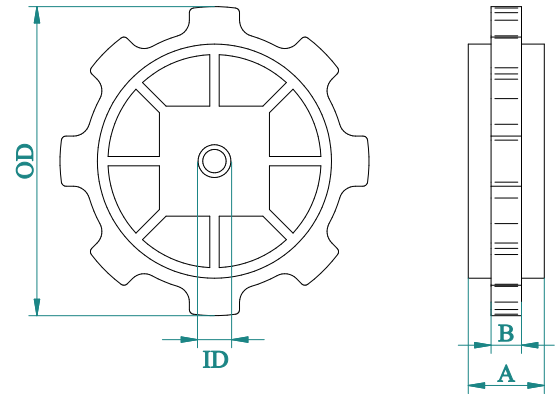
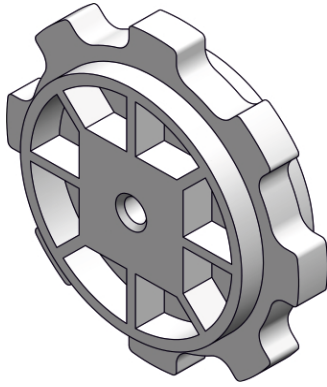
Belt Material	Belt Strength		Belt Temperature		Belt Weight	
	N/m	Kg/m	°C / °F Min	°C / °F Max	Kg/m2	lb/ft2
Polypropylene (PP)	15000	1500	+1 / +33.8	+90 / +194	8.7	1.8
Acetal / POM	21590	2159	-40 / -40	+90 / +194	11.9	2.4

BRAND COMPATIBILITY

ATC	UNI	HABASIT	HAIRISE	EURO	INTRALOX	YA-VA	HONG'S
A-SERIES / OPB	UNI OPB	M5020 HDS 620	HAR6100	SERIES 50 SERIES 80	SERIES 400 SERIES 4500	YS-500-1	HS-900C

*The above content is only for reference.

*Bold series are direct replacement with individual brands.



Material: POM/ Polyketone / UHMW/ Nylon

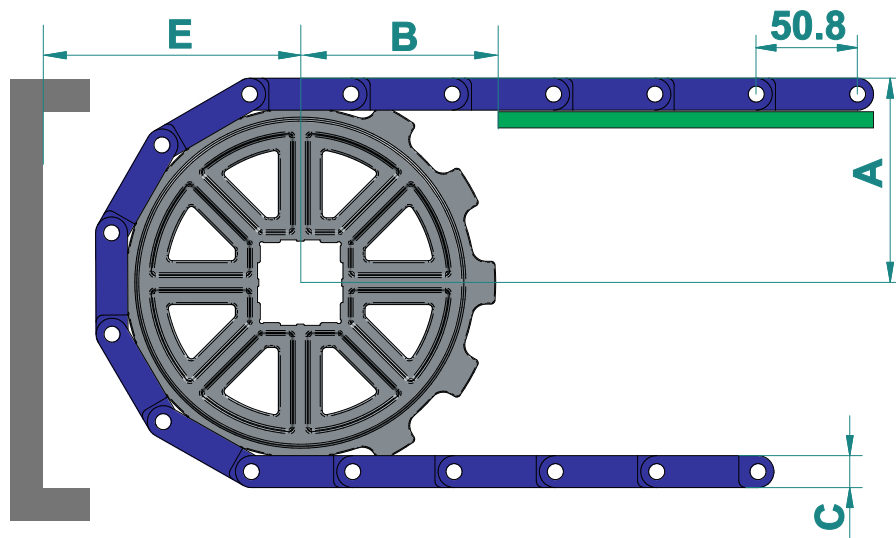
Temp. Range: -40 to 90 °C

No of teeth	OD		A		B		Available ID	
	mm	inch	mm	inch	mm	inch	M/C	M/D
8	132	5.20	32.5	1.3	13	0.5	☆	○ - 25,30,35 □ - 40
10	164	6.46	32.5	1.3	13	0.5	☆	○ - 25,30,35 □ - 40
12	196	7.72	32.5	1.3	13	0.5	☆	○ - 25,30,35 □ - 40

* A- Sprocket thickness, B- Teeth thickness, ID- Inner diameter, OD- Outer diameter, M/C - Machined, M/D - Moulded

* Type of Bore : ☆ - Round & Square , □ - Square, ○ - Round
*All the dimension have tolerance ± 1 or 2 mm approximately.

CONVEYOR DESIGN DATA



No. of Teeth	OD		A		B		C		E	
	mm	inch	mm	inch	mm	inch	mm	inch	mm	inch
8	132	5.20	72	2.8	92	3.6	16	0.63	78	3.07
10	164	6.46	88	3.5	114	4.5	16	0.63	94	3.70
12	196	7.72	103	4	137	5.4	16	0.63	110	4.33

* A- Distance between shaft centre to belt top

B- Distance between shaft centre to beginning of wear strip,

C- Belt thickness, E- Distance between shaft centre to conveyor structure/ frame

*All the dimension have tolerance ± 1 or 2 mm approximately.