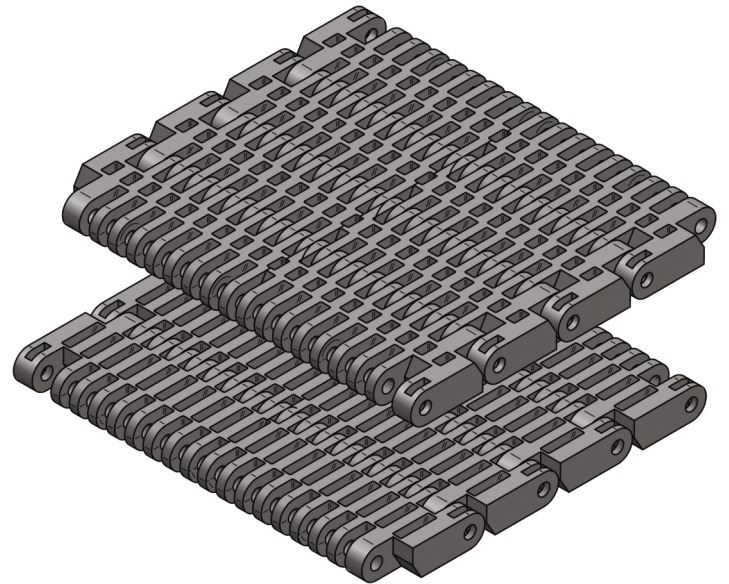


T-600 SERIES



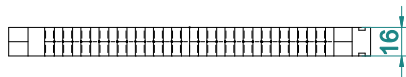
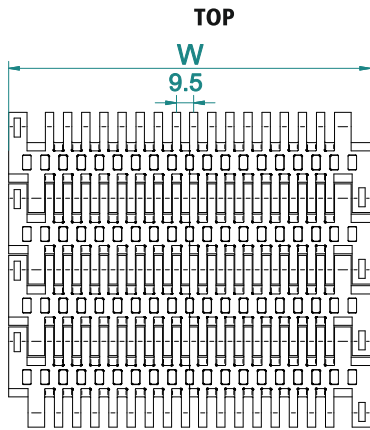
Pitch	40 mm
Surface type	Flush Grid
Belt Thickness	16 mm
Pin Dia	6 mm
Drive System	Central
Standard Size Width	200 mm (± 50 mm)
Open Area	14 %
Approved	FDA
Belt Movement	Bi - Directional



AVAILABLE COLOURS

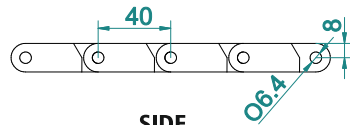
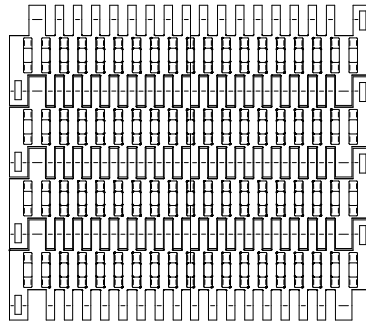


For Customised Colour variation please contact our sales team.



FRONT

BOTTOM



SIDE

ACCESSORIES

Cleat Height	----
Scoop Cleat Height	----
Bent Cleat Height	----
Side Wall Height	----

SUGGESTED INDUSTRIES



AVAILABLE WIDTH (W)

In mm	150	200	350	550	750	950	1150	+...n
In inch	6"	7.9"	13.8"	21.6"	29.5"	37.4"	45.3"	+...n

* For exact customised width dimension please contact our sales team.

BELT DATA

Belt Material	Belt Strength		Belt Temperature		Belt Weight	
	N/m	Kg/m	°C / °F Min	°C / °F Max	Kg/m ²	lb/ft ²
Polypropylene (PP)	36000	3600	+1 / +33.8	+90 / +194	10	2.05
Acetal / POM	48000	4800	-40 / -40	+90 / +194	12	2.46

BRAND COMPATIBILITY

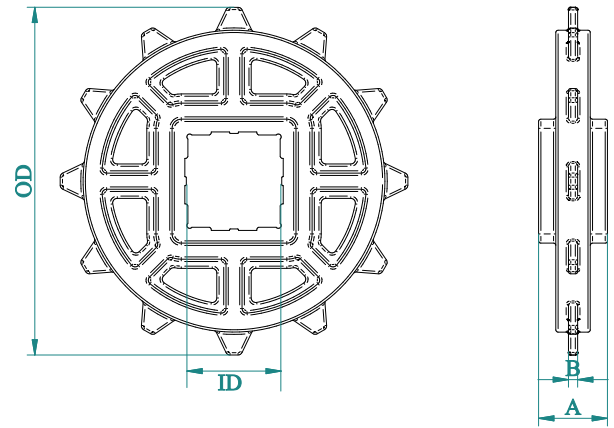
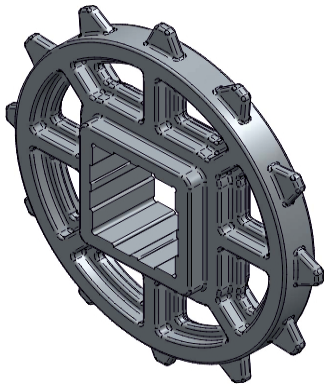
ATC	UNI	HABASIT	HAIRISE	EURO	MODUTECH	YA-VA	SCAN
T-600	UNI ACB	----	----	SERIES 40	HP 508 FG	----	----

*The above content is only for reference.

*Bold series are direct replacement with individual brands.

T-600

SPROCKET DATA



 Material: POM/ Polyketone / UHMW/ Nylon

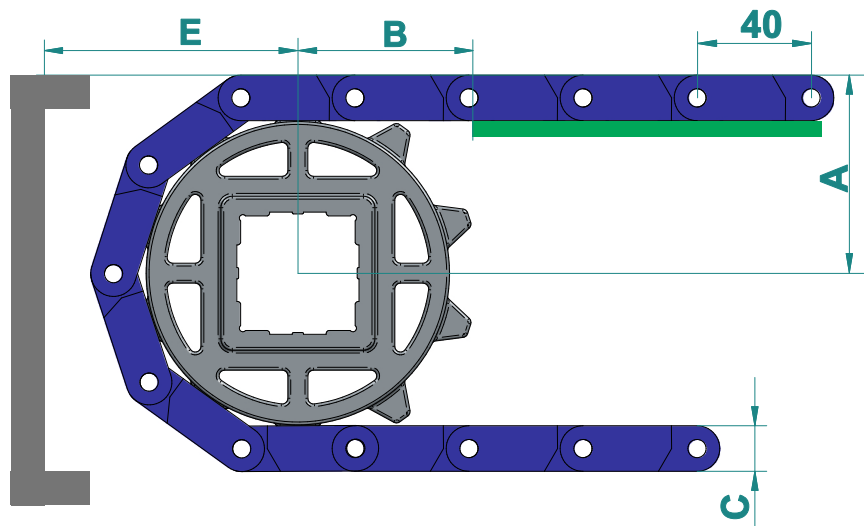
 Temp. Range: -40 to 90 °C

No of teeth	OD		A		B		Available ID	
	mm	inch	mm	inch	mm	inch	M/C	M/D
8	98	3.86	30	1.18	4	0.16	☆	○ - 25,30,35 □ - 40
10	126	4.96	30	1.18	4	0.16	☆	○ - 25,30,35 □ - 40
12	157	6.18	30	1.18	4	0.16	☆	○ - 25,30,35 □ - 40
13	165	6.50	30	1.18	4	0.16	☆	○ - 25,30,35 □ - 40

* A- Sprocket thickness, B- Teeth thickness, ID- Inner diameter, OD- Outer diameter, M/C - Machined, M/D - Moulded

* Type of Bore : ☆ - Round & Square, □ - Square, ○ - Round
*All the dimension have tolerance ± 1 or 2 mm approximately.

CONVEYOR DESIGN DATA



No. of Teeth	OD		A		B		C		E	
	mm	inch	mm	inch	mm	inch	mm	inch	mm	inch
8	98	3.86			68	2.68	16	0.63	61	2.40
10	126	4.96			88	3.46	16	0.63	75	2.95
12	157	6.18			109	4.29	16	0.63	90	3.54
13	165	6.50			115	4.53	16	0.63	94	3.70

* A- Distance between shaft centre to belt top
B- Distance between shaft centre to beginning of wear strip,

C- Belt thickness, E- Distance between shaft centre to conveyor structure/ frame
*All the dimension have tolerance ± 1 or 2 mm approximately.