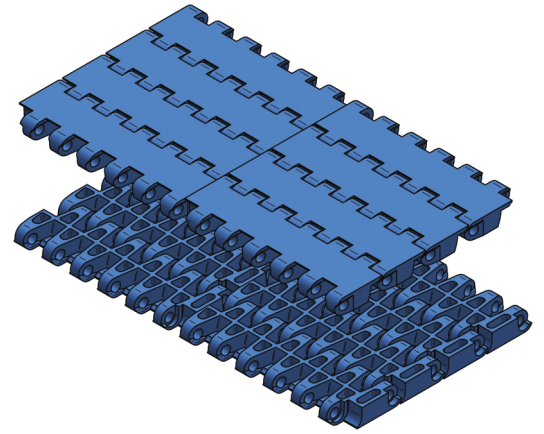


T-25 SERIES



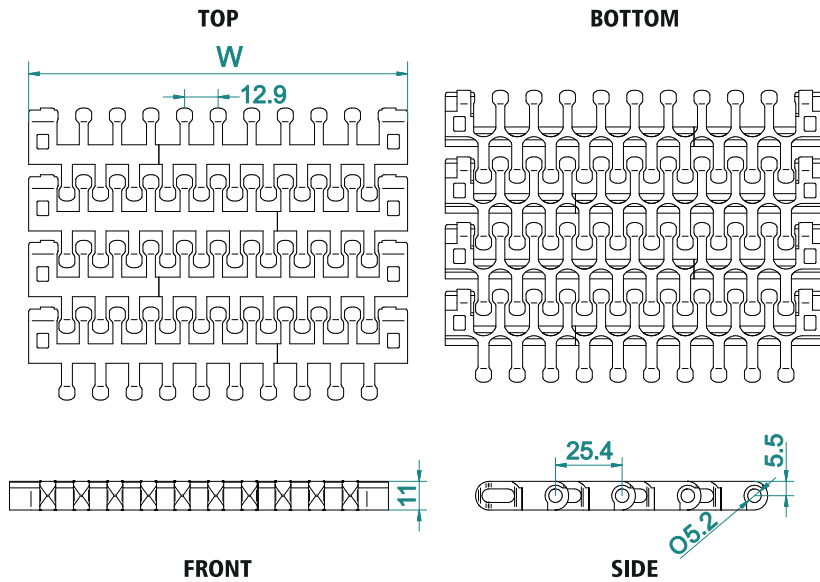
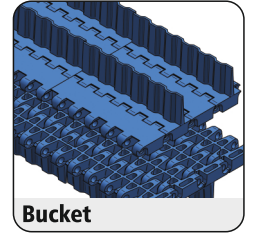
Pitch	25.4 mm
Surface type	Flat Top
Belt Thickness	9.5 mm
Pin Dia	4.5 mm
Drive System	Central
Standard Size Width	100 mm (± 50 mm)
Open Area	0 %
Approved by	FDA
Belt Movement	Bi - Directional



AVAILABLE COLOURS



For Customised Colour variation please contact our sales team.



Cleat Height	25 / 50 mm (Customised)
Scoop Cleat Height	-----
Bent Cleat Height	-----
Side Wall Height	-----

ACCESSORIES

SUGGESTED INDUSTRIES



AVAILABLE WIDTH (W)

In mm	100	150	200	250	300	350	400	+...n
In inch	3.9"	5.9"	7.9"	9.8"	11.8"	13.8"	15.7"	+...n

* For exact customised width dimension please contact our sales team.

BELT DATA

Belt Material	Belt Strength		Belt Temperature		Belt Weight	
	N/m	Kg/m	°C / °F Min	°C / °F Max	Kg/m ²	lb/ft ²
Polypropylene (PP)	10600	1060	+1 / +33.8	+90 / +194	5.6	1.12
Acetal / POM	16200	1620	-40 / -40	+90 / +194	7.5	1.53

BRAND COMPATIBILITY

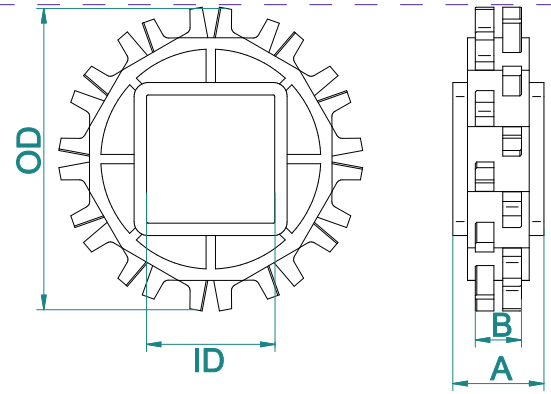
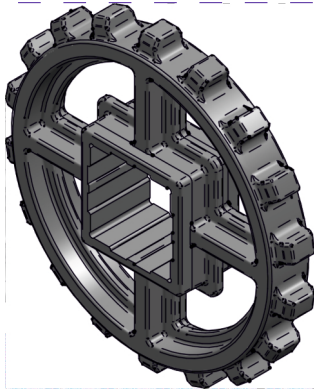
ATC	INTRALOX	HABASIT	HAIRISE	MOVEX	SCAN	YA-VA	HONG'S
T-25	SERIES 1400	M2520	HAR2520	550 FT	S.25-408 S.25-800	YS-300-1	HS-2500A

*The above content is only for reference.

*Bold series are direct replacement with individual brands.

T-25

SPROCKET DATA



Material: POM/ Polyketone / UHMW/ Nylon



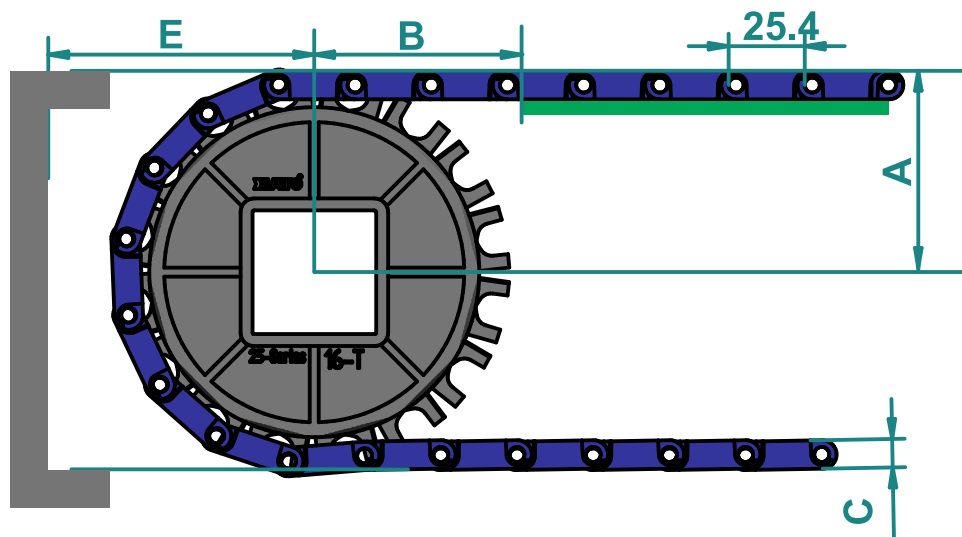
Temp. Range: -40 to 90 °C

No of teeth	OD		A		B		M/C	Available ID	
	mm	inch	mm	inch	mm	inch		M/D	M/D
12	100	3.9	29	1.1	14.8	0.6	☆	○ - 25,30,35	□ - 40
16	130	5.1	29	1.1	14.8	0.6	☆	○ - 25,30,35	□ - 40
20	162	6.4	29	1.1	14.8	0.6	☆	○ - 25,30,35	□ - 40

* A- Sprocket thickness, B- Teeth thickness, ID- Inner diameter, OD- Outer diameter, M/C - Machined, M/D - Moulded.

* Type of Hole : ☆ - Round & Square , □ - Square, ○ - Round
*All the dimensions have tolerance of ± 1 or 2 mm approximately.

CONVEYOR DESIGN DATA



No. of Teeth	OD		A		B		C		E	
	mm	inch	mm	inch	mm	inch	mm	inch	mm	inch
12	100	3.9	54	2.1	70	2.8	9.5	0.4	62	2.4
16	130	5.1	67	2.6	91	3.6	9.5	0.4		
20	162	6.4	81	3.2	113	4.4	9.5	0.4	93	3.7

* A- Distance between shaft centre to belt top,
B- Distance between shaft centre to beginning of wear strip,

C- Belt thickness, E- Distance between shaft centre to conveyor structure/ frame.
*All the dimension have tolerance ± 1 or 2 mm approximately.