

6

5

4

3

2

1

D

D

C

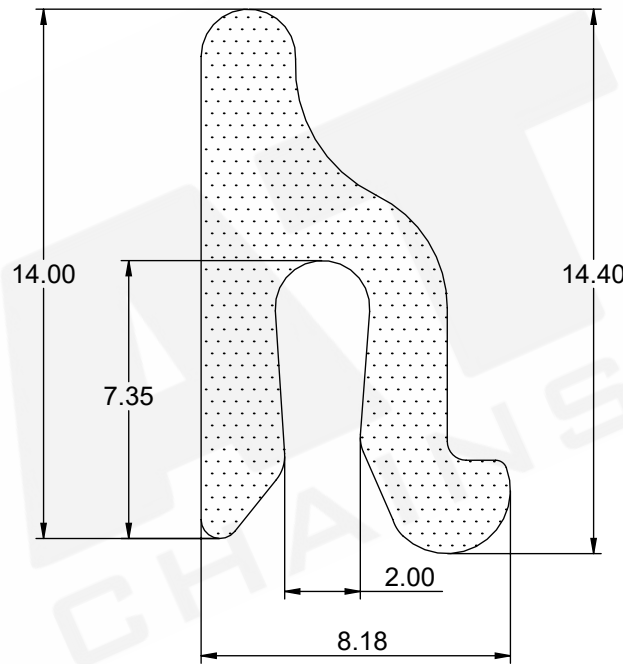
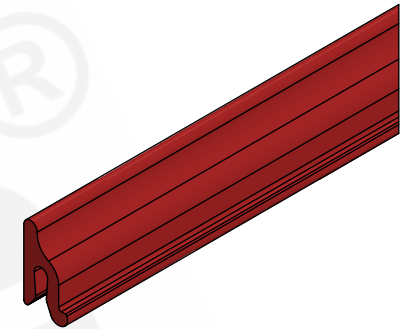
C

B

B

A

A



PRODUCT NAME :  
**NECK GUIDE 14**



PRODUCT CODE :

MATERIAL:



A4

ALL DIMENSIONS ARE IN MM

**ATC CHAINS INDIA**

6

5

4

3

2

1